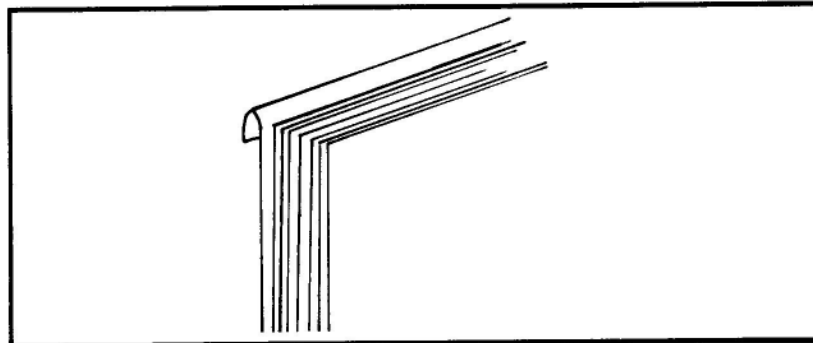


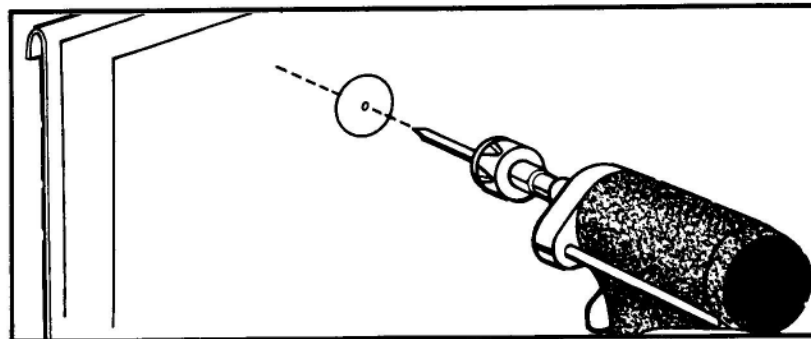


CUP HEAD WELDPINS®

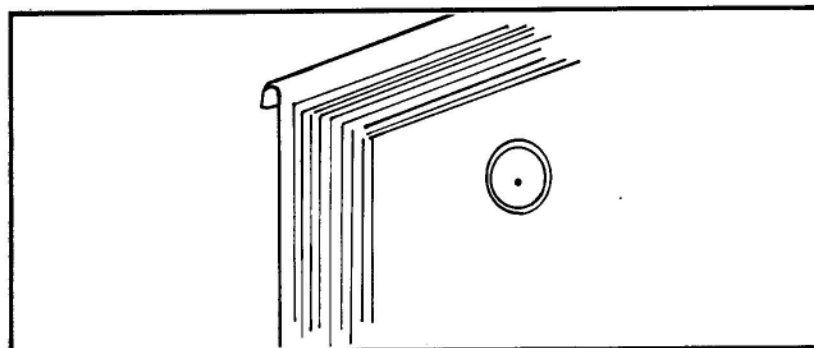
APPLICATION



1. HANG INSULATION



2. PRESS CUP HEAD WELDPIN® THROUGH INSULATION NOTE - AN INSULATING PAPER WASHER IS REQUIRED HERE WHEN WELDING THROUGH FOIL-FACED INSULATION.



3. WELD IN PLACE TO COMPLETE INSTALLATION.

**All information contained herein is subject to change without notice.
For more information-consult your nearby Continental Field sales representative.**